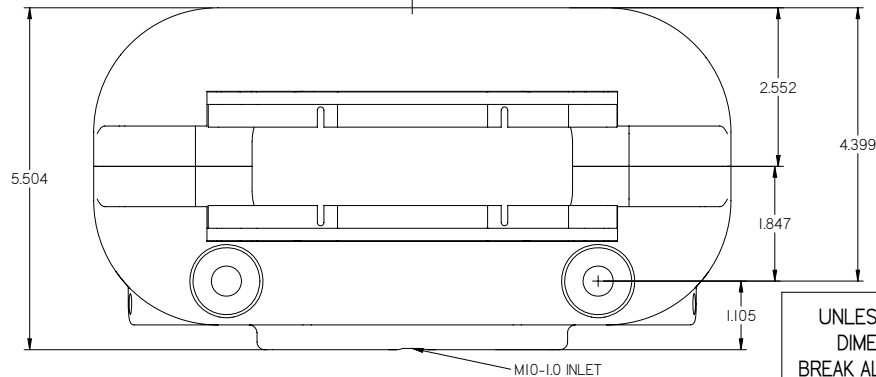
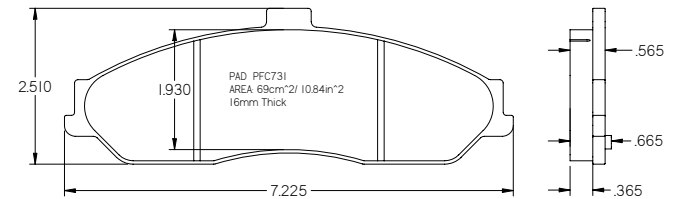
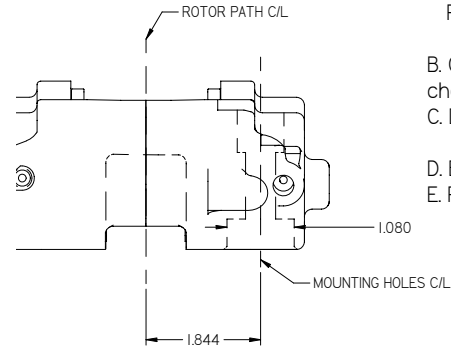
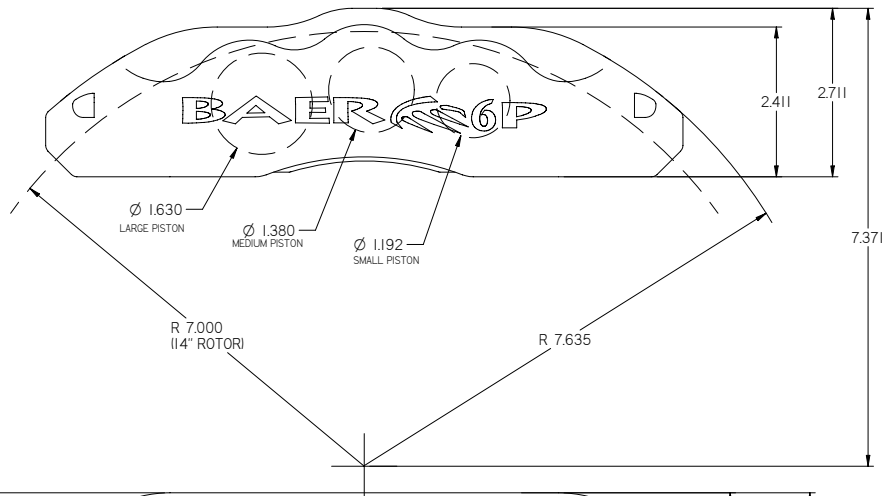
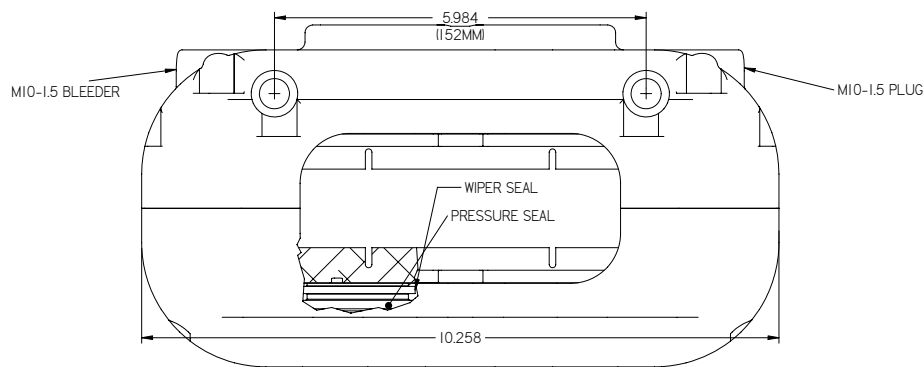


REVISION HISTORY			
REV	DESCRIPTION	DATE	APPROVED
1	RELEASED FOR PRODUCTION	05/01/08	NICC



- NOTES:
- A. Left hand caliper as drawn  
Right caliper is symmetrically opposite.
  - B. Caliper can be leading or trailing by changing MIO plug and MIO bleeder position
  - C. Disc rotation. Disc must pass small piston first.
  - D. Bleed Screw torque 12ft-lb cold
  - E. Rotor diameter 1.25"-1.4" / 1.1" thick

**BAER INC.**



3108 W. THOMAS RD. STE. 1201 PHOENIX AZ 85017

UNLESS OTHERWISE SPECIFIED:  
DIMENSIONS ARE IN INCHES  
BREAK ALL SHARP EDGES .01" X 45°  
XX= +/- .010; XXX= +/- .005  
ANGLES= +/- 5°

NAME		DATE		TITLE	
DRAWN	nicc	05/01/08	SIZE	6P CALIPER	
ENG APPR	NICC	05/01/08	DWG NO	6P FIT SHEET.dft	
MATERIAL: 6061-T6 ALUMINUM			INTERPRET DRAWING PER	FILE NAME: 6P FIT SHEET.dft	REV !
			ASME Y14.5M	DO NOT SCALE	SHEET 1 OF 1

This document and the information it contains are confidential and the sole property of BAER Inc. and may not be reproduced or distributed without the written consent of BAER Inc.